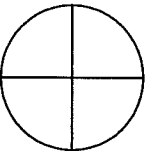
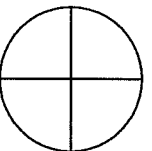


Align with top of part starting with this corner



Drill 3/4" Holes (2 places)
Use a hammer & nail to mark center point
Template 'B' use solid lines

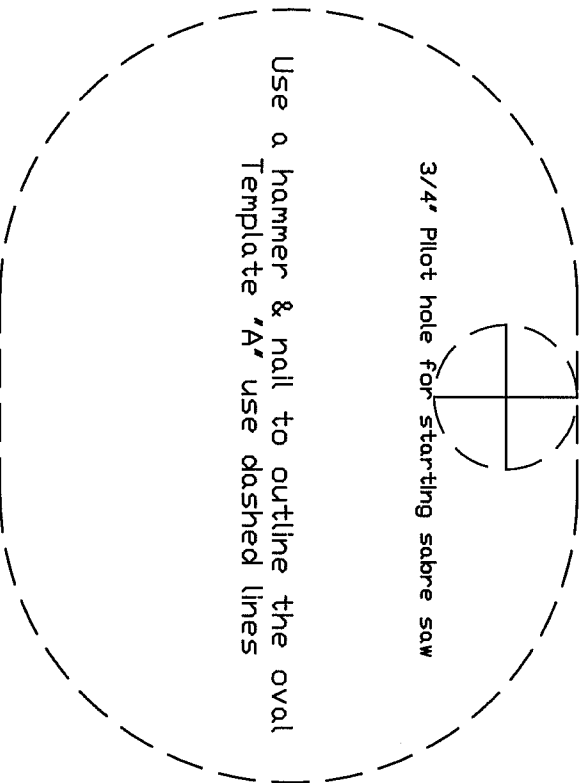


Materials Required

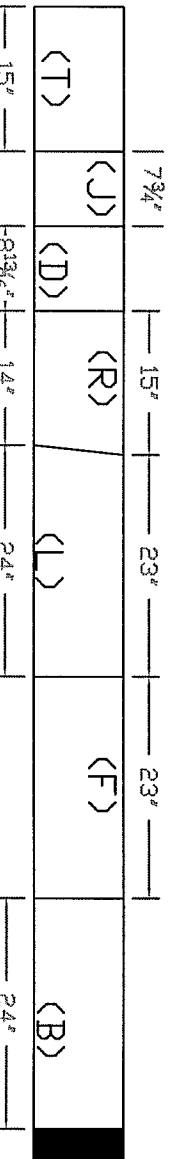
Qty	Description
1	1' x 10' x 10 foot Cedar Board (refer to Cut Diagram below)
1	Gutter Screen or equal (min 3' wide x 18' long)
26	1 5/8" long Galv. or Stainless Decking Screws
2	1/4"-20 x 1 1/4" Galv. or Stainless Hex Head Bolt
2	1/4 Galv. or Stainless Nut & Washer
1	1 1/2" Galv. Pipe x 10 feet (Mounting Post)
2	# 3 EMT Conduit Hanger
1	2' PVC Pipe x 4 feet (Anti-Predator sleeve for post)
1	Screen Door Latch or 1/4"-20 Thread Insert & Thumb Screw

Tools Required

Description
Safety Glasses
Hammer & 1 Nail
Ruler
Carpenters Square
Pencil
Sabre Saw
Staple Gun
Circular Saw (optional-substitute with sabre saw)
Drill Motor
1/8" Drill Bit
3/4" Spade Bit
7/16" Wrench or Ratchet with socket



Cutting diagram for 1' x 10' x 10' cedar board

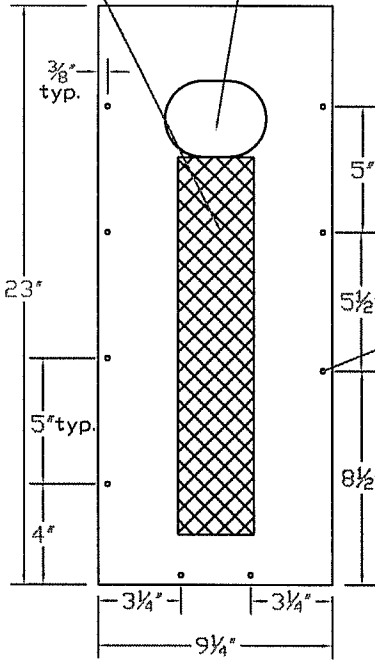


- Parts Detail -

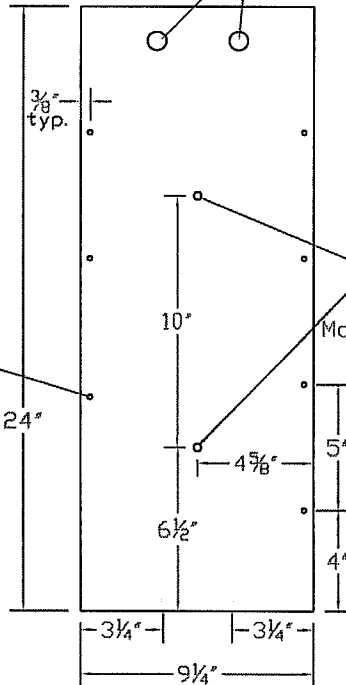
Use Template
"A" Supplied
Entrance Hole
Max 3" from top
of box

Use Template
"B" Supplied
Vent Holes

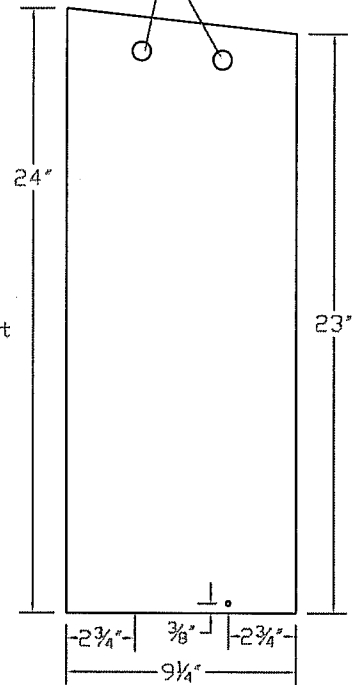
Attach wire
mesh to
opposite side



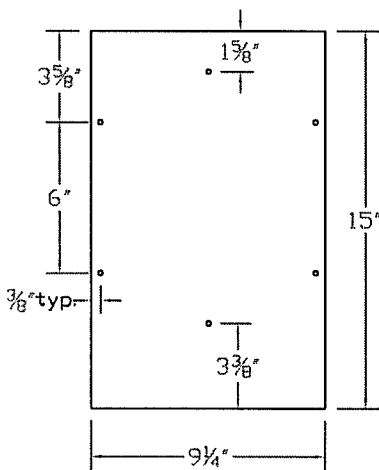
Front (F)



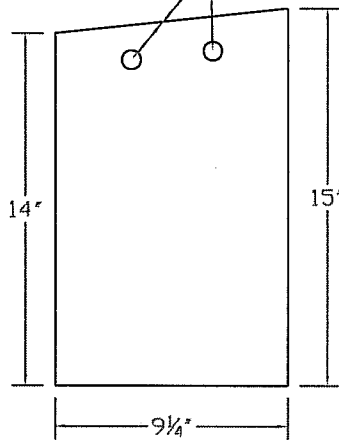
Back (B)



Side L (L)



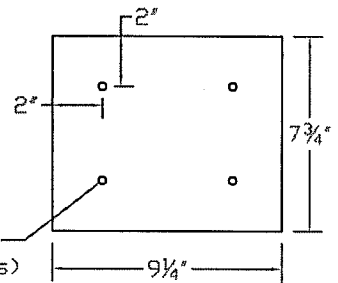
Top (T)



Side R (R)

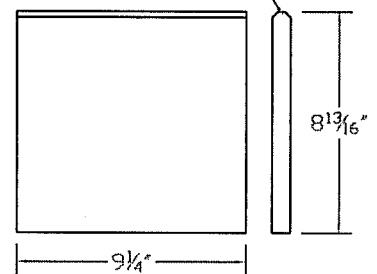
Use Template
"B" Supplied
Vent Holes

Drill 5/16"
holes (4 plcs)
Drain Holes



Floor (J)

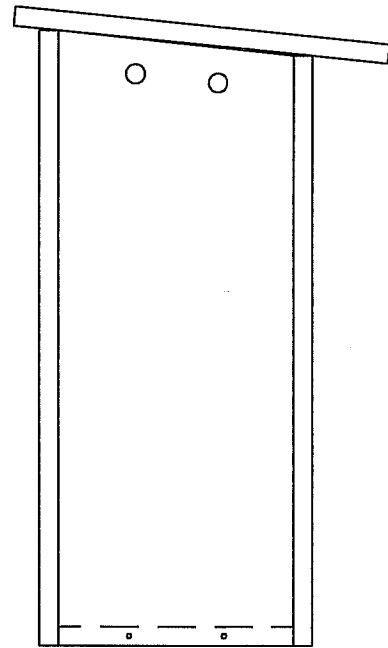
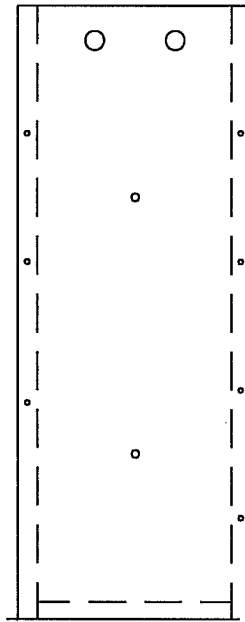
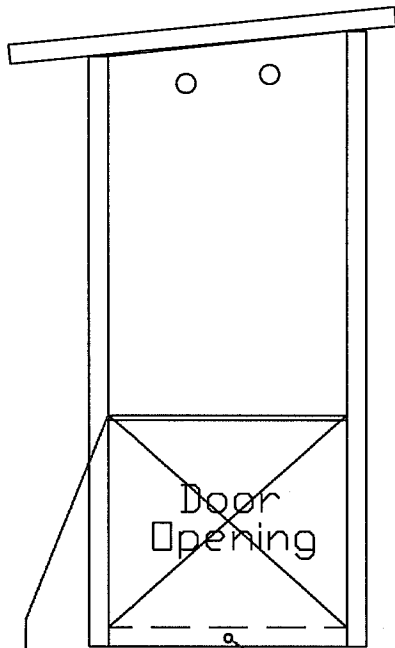
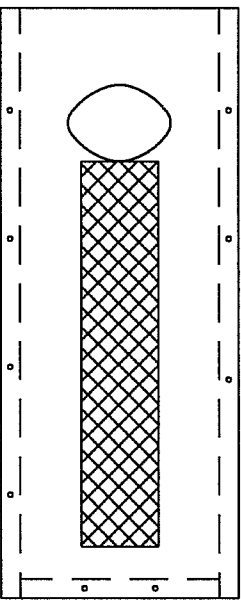
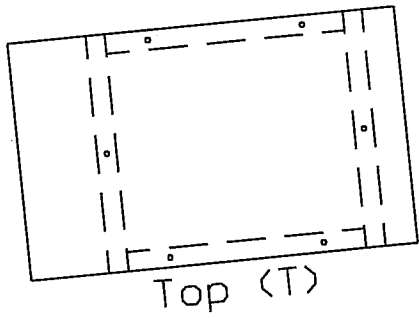
Chamfer corners
for swing clearance



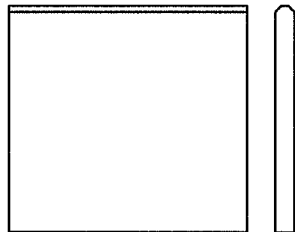
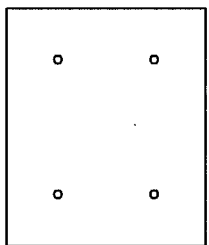
Door (D)

- All holes 1/8" unless noted
- Predrill all holes prior to assembly
- Assemble using 1 5/8" long stainless or galvanized deck screws
- Refer to Assembly page for assembly pictures and instructions
- Refer to Parts Template for Bill of Materials

- Assembly Diagrams -



1/8" gap to allow door to swing



- Two options for securing the door -

- * Use a screen door latch to secure door
- * Use a 1/4"-20 thread insert and a 1/4"-20 x 1 1/2" thumb screw

- Refer to Assembly page for assembly pictures and instructions
- Refer to Parts Template for Bill of Materials